

## 18x16x8 Inch Universal 120-240 VAC Weatherproof Enclosure with Vented Cover Model: NB181608-E0V

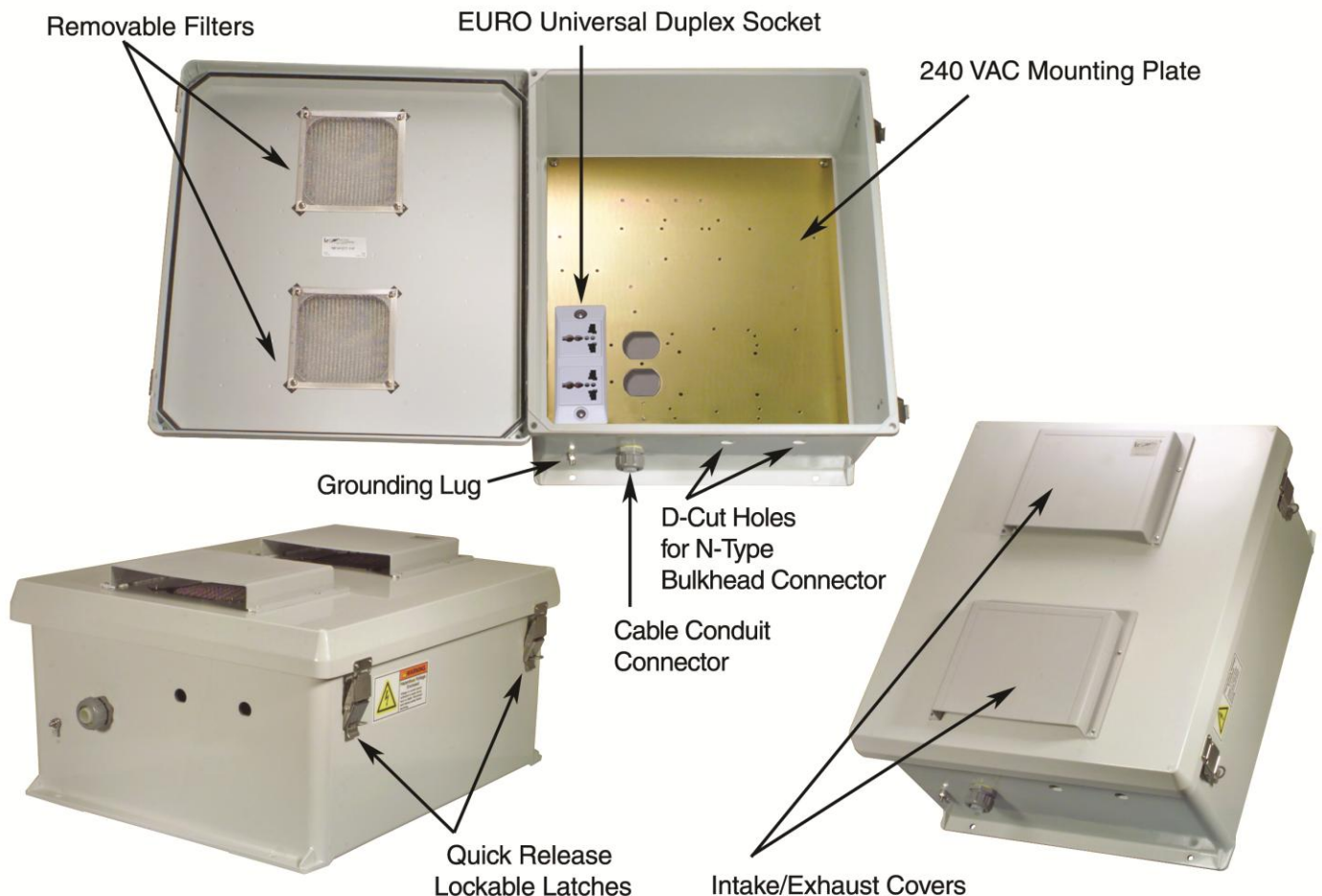
### Applications and Features

- Applications:**
- Remote Wireless LAN WiFi equipment installations
  - Indoor and outdoor installations
  - Rapid Deployment Installations
  - Corrosive environments
  - Hotspot applications
  - Protection of equipment from theft or damage

**Features:**



- Molded fiberglass reinforced polyester enclosure
- Stainless steel quick release latches with padlock hasps
- Fully gasketed raised lid
- Integral mounting flange
- NEMA Type 3R / IP42 rated
- RoHS Compliant
- Vented enclosure
- Features aluminum mounting plate with 120-240 VAC Universal Duplex Socket
- Optional universal equipment shelf and mounting brackets available
- Fully customized configurations available



## Product Description

### Start with the Box...

The box is a rugged 18" x 16" x 8" weatherproof enclosure that is ideal for both indoor and outdoor applications. Constructed from molded fiberglass, it is well suited for high temperature or corrosive environments. The mounting flange allows it to be wall mounted as well as on a flat surface. The box can also be pole mounted with the optional pole mounting hardware kit. The fully gasketed lid features a stainless steel continuous hinge and stainless steel quick release latches with padlock hasps. The enclosure material is UV stabilized and comes in machine tool gray.

### Mounting Plate

The aluminum mounting plate included with the NB181608-E0V has provisions to mount WLAN equipment from Cisco®, Symbol®, D-Link®, HyperLink and more. The Mounting Plate holds a 120-240 VAC Universal duplex socket. With the optional HGX-AMOUNT02 bracket a wide array of HyperLink Amplifiers, Power-Over-Ethernet products and Power Supplies can be mounted as well. Two of these brackets can be mounted side by side. Also available is the HGX-NMOUNT03 Universal Mounting Shelf that can be attached to the mounting plate and can accommodate additional equipment to be placed in the enclosure. The enclosure also features holes for two N-Bulkhead Lightning Protectors or Connectors, a grounding lug and cable conduit connector.

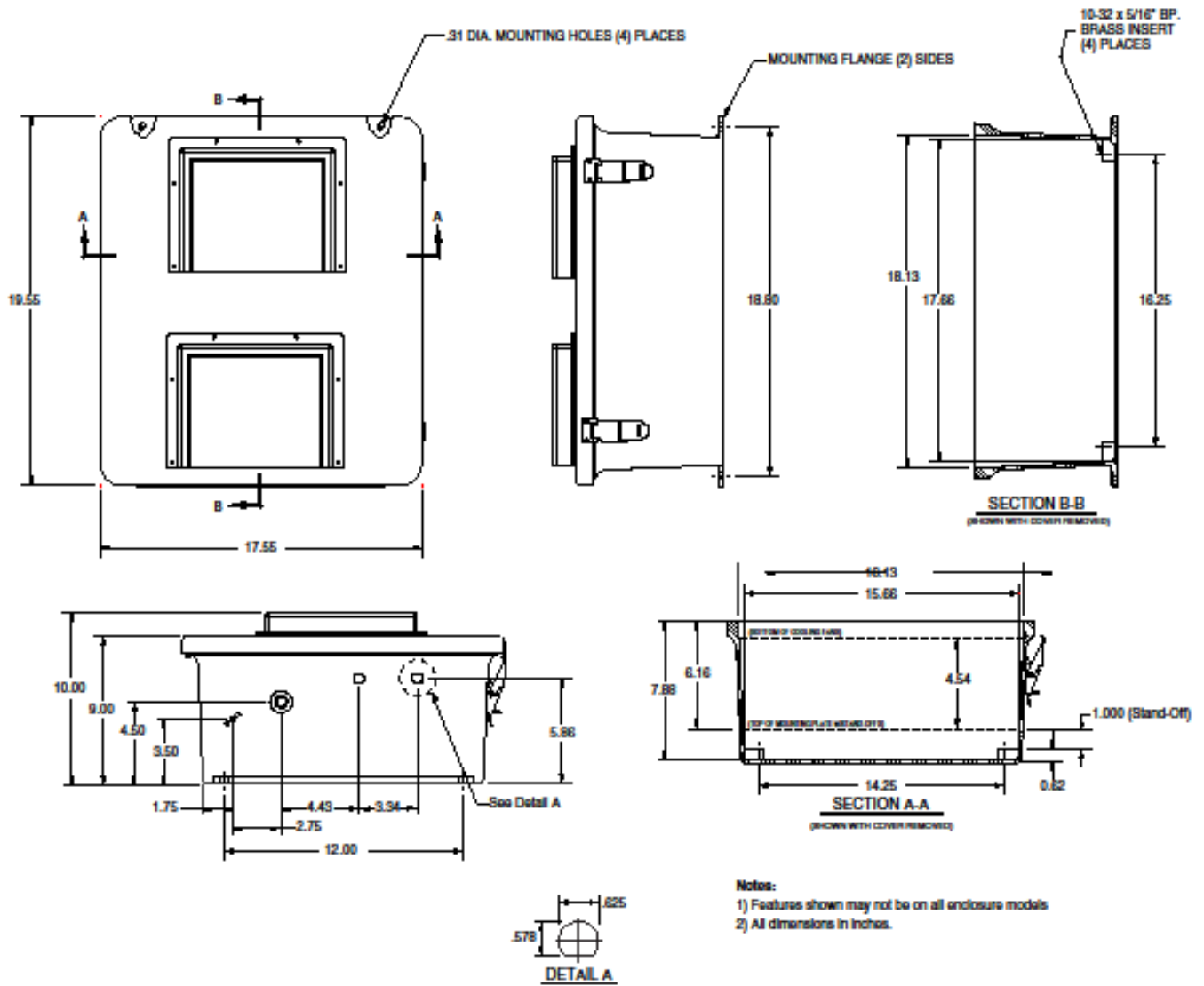
### Vented Enclosure

The NB181608-E0V features a vented lid with removable filters and vent covers on the outside of the enclosure.

## Specifications

<b>Enclosure Material</b>	UV-inhibited Fiberglass
<b>Enclosure Color</b>	Machine Tool Gray
<b>Voltage</b>	120-240 VAC
<b>Mounting Plate Material</b>	.10 in. (2.5mm) Thick Anodized Aluminum
<b>Mounting Plate Dimensions</b>	16.8 x 14.8 inches (42.6 x 37.5 cm)
<b>Weight</b>	19.6 lbs (8.9 kg)
<b>Outside Dimensions (max)</b>	19.5 x 17.5 x 10 inches (49.5 x 44.4 x 25.4 cm)
<b>Inside Dimensions</b>	17.7 x 15.7 x 8.5 inches (44.9 x 39.9 x 21.6 cm)
<b>Flame Rating</b>	UL 94-5V
<b>Cable Feed</b>	1/2" Cable Conduit Connector
<b>RoHS Compliant</b>	Yes
<b>Ratings</b>	NEMA 3R / IP42

**Enclosure Dimensions**



**Notes:**  
 1) Features shown may not be on all enclosure models  
 2) All dimensions in inches.